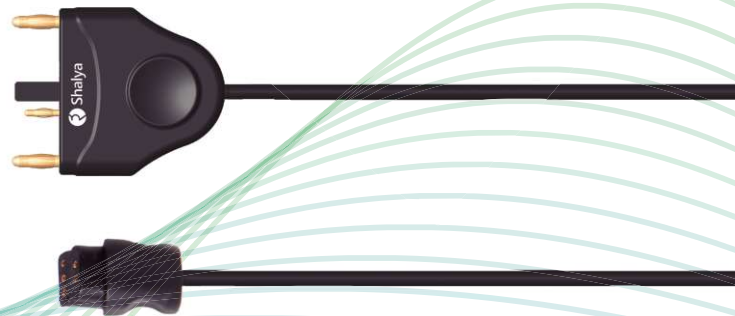


The Advanced Laparoscopic Instrument



VSC Jaw Insert

**axer**<sup>™</sup> five



Shalya offers an extensive selection of Reusable Laparoscopic instruments.

- Easy to Disassemble Design for Effective Cleaning and Sterilization.(Autoclavable).
- Cutting of tissue by blade (Blade can be replace)
- Design & Manufacturing as per international standards/norms.
- The unique Ergonomic Light Weight Design with Multiple Handgrip options.
- High Quality, High Reliability & Best Performance gives confidence to user.
- Can be suitable for most complicated Minimally Invasive Surgeries (MIS).
- Variety of Multiple Insert Options for various Surgical Applications.
- Automatic activation at closer of complete handle
- Spring Technology creates Unsurpassed Precision, Performance and Reliability.
- Compliance of Bio-compatability & Electrical Test as per IEC 60601-1 & IEC 60601-2-2.
- Quick Lock & Easy to Assemble system.
- Autoclavable Instrument.
- World Wide Service Support.
- **360°** Jaw Insert Rotation with the rotor.



• Various hand-grip options for easy to use.

for Laparoscopy



VSC Jaw Insert



**R511-32**  
32cm

**R511-36**  
36cm

**R511-42**  
42cm

**R511-56**  
56cm

**E449**

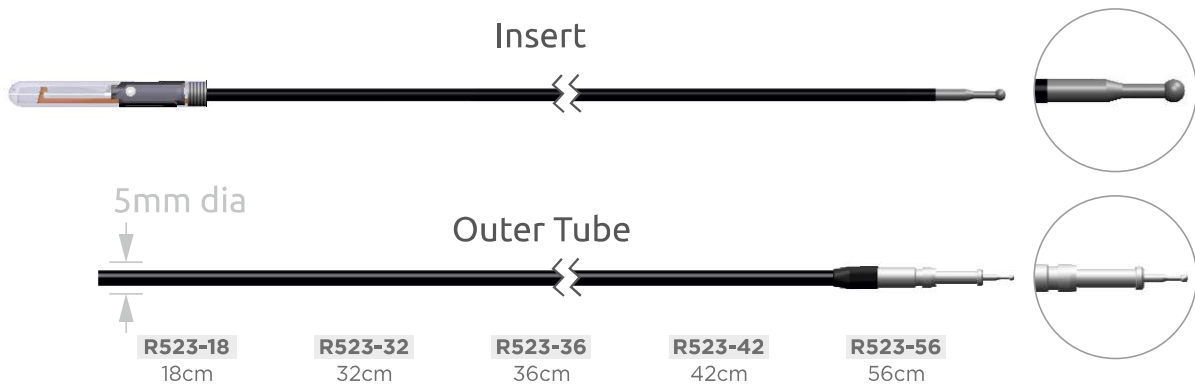
Blade, 5mm Insert  
Pack of 10 Blade



**E448**

Blade Replacement  
& Jaw Cleaning Tool





- axer five cable  
**R289**  
handswitching Cable  
Length - 3 Mtr, Material - Silicon

- axer five handle  
**R501**  
Vessel Sealing with Cutting Handle, 5mm

### Shalya Sigma+v



### Shalya Vista



**Recommended ESU**



**XcelLance Medical Technologies Pvt. Ltd.**

Shalya Avenue, W-239, Rabale MIDC, Navi Mumbai - 400 701. INDIA. ☎: +91-22-7114 2400.

✉ info@shalya.in

🌐 www.shalya.in